

MijIN system

Auto Reel Series

Air Reel | Gas Reel | Welding Reel
Cord Reel | Water Reel



MijIN system

www.mijinsys.co.kr

Air Reel



NORMAL TYPE

▪ PURPOSE

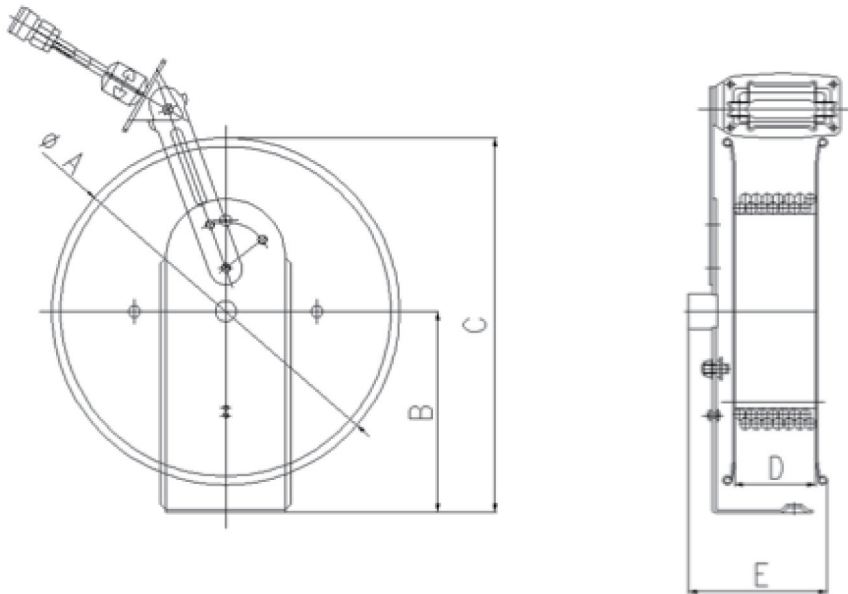
Automobile Repair Shop, General Industrial Site

▪ FEATURE

Lightweight Frame, Flexible Hose, Easy Installation, Easy Maintenance

▪ INSTALLATION LOCATION

Wall or Ceiling (Within 4 meters of installation height. Installation higher than 4 meters may not return)



<Normal Type Outside View>

Model	HOSE		Size (mm)				
	I,D(mm)	Length(M)	A	B	C	D	E
NORMAL TYPE							
MAA610N	6	10	320	185	345	75	135
MAA615N	6	15	320	185	345	75	135
MAA620N	6	20	320	185	345	75	135
MAA630N	6	30	350	215	390	75	135
MAA810N	8	10	320	185	345	75	135
MAA815N	8	15	320	185	345	75	135
MAA820N	8	20	320	185	345	75	135
MAA825N	8	25	350	215	390	75	135
MAA830N	8	30	350	215	390	75	135
MAA1110N	11	10	320	185	345	75	135
MAA1115N	11	15	350	215	390	75	135
MAA1120N	11	20	350	215	390	75	135



BASE SUPPORT TYPE

▪ PURPOSE

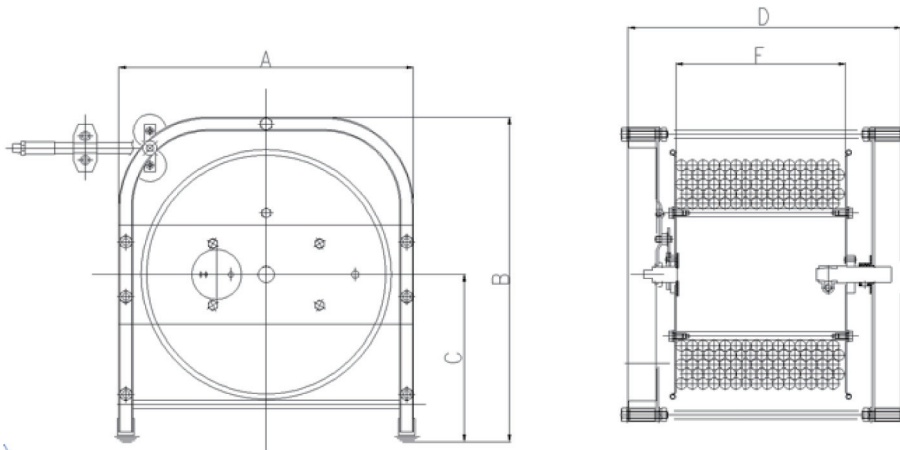
Construction Site, General Industrial Site

▪ FEATURE

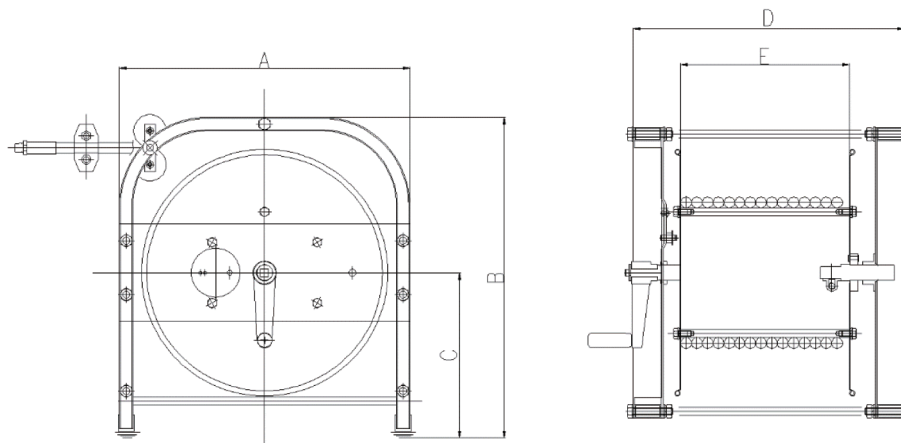
Rigid Frame

▪ INSTALLATION LOCATION

Movable



<Base Support Type Outside View 1>



< Base Support Type Outside View 2>

Model		HOSE		Size (mm)				
Automatic	Manual	I.D(mm)	Length(M)	A	B	C	D	E
MAA830B	MAM830B	8	30	430	465	235	400	250
MAA850B	MAM850B	8	50	430	465	235	400	250
MAA1130B	MAM1130B	11	30	430	465	235	400	250
MAA1150B	MAM1150B	11	50	430	465	235	400	250

Air Reel

Gas Reel

Welding Reel

Cord Reel

Water Reel



EXTERNAL AUTOMATIC TYPE

▪ PURPOSE

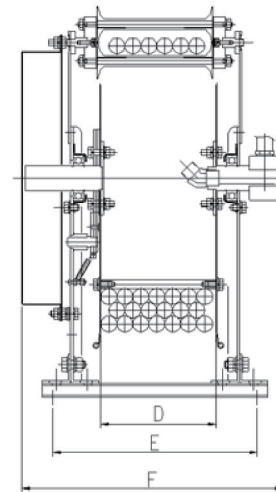
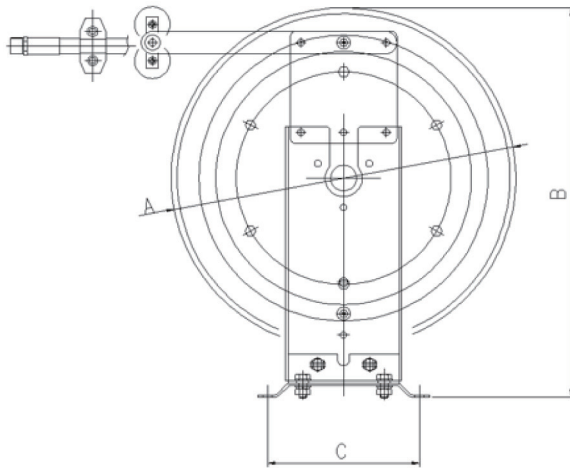
Mid-and-large-size Maintenance shop, General Industrial Site

▪ FEATURE

Rigid Frame, Powerful Spring

▪ INSTALLATION LOCATION

Wall or Ceiling (Within 4 meters of installation height. Installation higher than 4 meters may not return)



<External Automatic Type Outside View>

Model	HOSE		Size (mm)					
	I,D(mm)	Length(M)	A	B	C	D	E	F
External								
MAA1315	13	15	410	443				
MAA1320	13	20	465	538	205	155	275	350
MAA1330	13	30	510	583				
MAA1350	13	50	580	633	245	205	310	400
MAA1615	16	15	465	538	205	155	275	350
MAA1620	16	20	510	583				
MAA1630	16	30	510	583				
MAA1915	19	15	465	538				
MAA1920	19	20	510	583	245	205	310	400
MAA1930	19	30	580	633				
MAA2515	25	15	510	583				
MAA2520	25	20	580	633				



EXTERNAL MANUAL TYPE

▪ PURPOSE

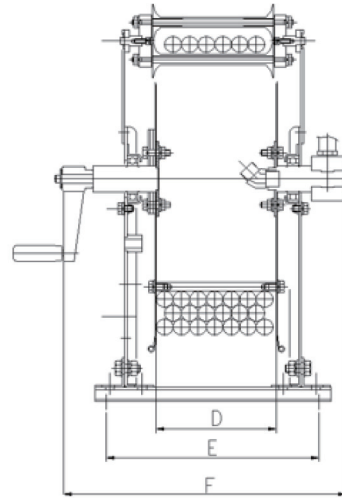
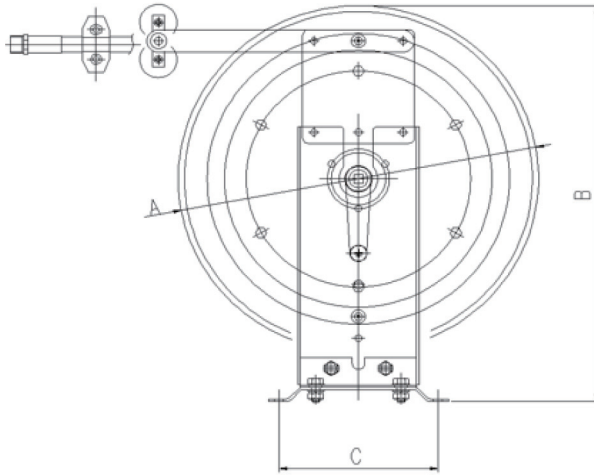
Mid-and-large-size Maintenance shop, General Industrial Site

▪ FEATURE

Rigid Frame

▪ INSTALLATION LOCATION

Wall or Ceiling (Within 4 meters of installation height. Installation higher than 4 meters may not return)



<External Manual Type Outside View 2>

Model	HOSE		Size (mm)					
	I,D(mm)	Length(M)	A	B	C	D	E	F
MAM1315	13	15	410	443	205	155	275	365
MAM1320	13	20	465	538				
MAM1330	13	30	510	583				
MAM1350	13	50	580	633	245	205	310	415
MAM1615	16	15	465	538	205	155	275	365
MAM1620	16	20	510	583				
MAM1630	16	30	510	583				
MAM1915	19	15	465	538	245	205	310	415
MAM1920	19	20	510	583				
MAM1930	19	30	580	633				
MAM2515	25	15	510	583	245	205	310	415
MAM2520	25	20	580	633				

Gas Reel



EXTERNAL TYPE

▪ PURPOSE

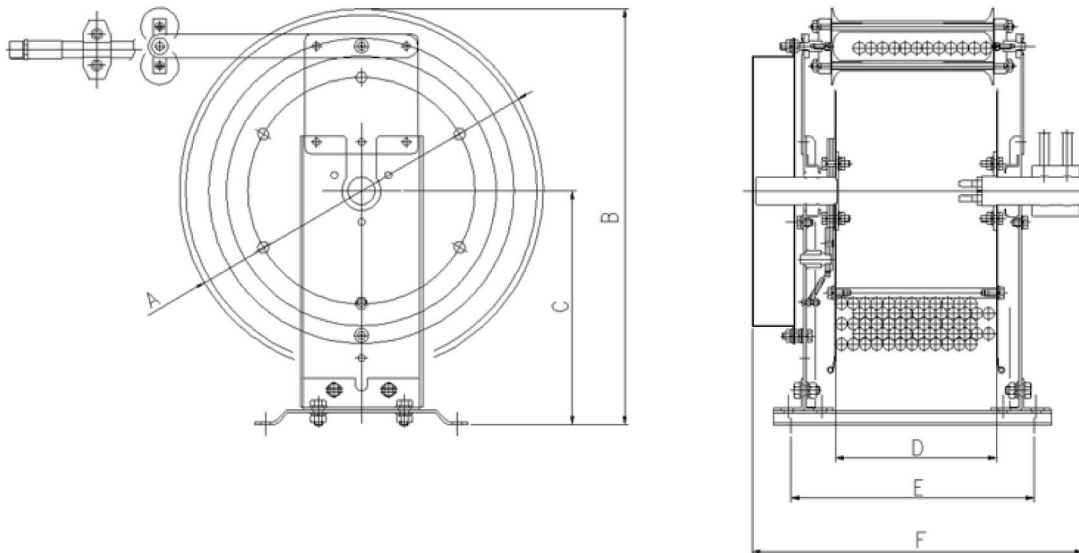
Gas Welding, Cutting Operation

▪ FEATURE

Rigid Frame, Powerful Spring

▪ INSTALLATION LOCATION

Wall or Ceiling (Within 4 meters of installation height. Installation higher than 4 meters may not return)



<External Automatic Type Outside View 1>

Model	HOSE		Size (mm)					
	I.D(mm)	Length(M)	A	B	C	D	E	F
MGA615	6	15	410	443	225	155	275	372
MGA620	6	20	465	538	285			
MGA630	6	30	465	538	285			
MGA815	8	15	410	443	225	205	310	422
MGA820	8	20	465	538	285			
MGA830	8	30	510	583	300			
MGA850	8	50	580	633	320			



EXTERNAL MANUAL TYPE

▪ PURPOSE

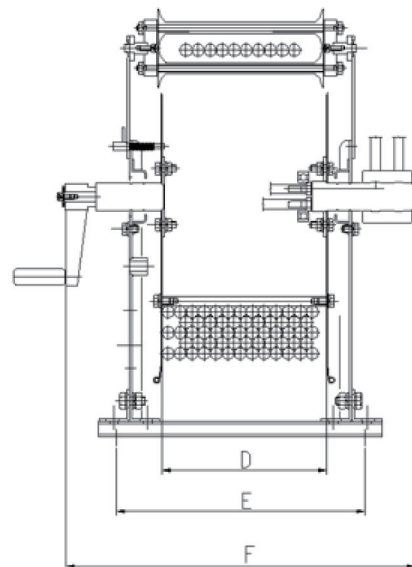
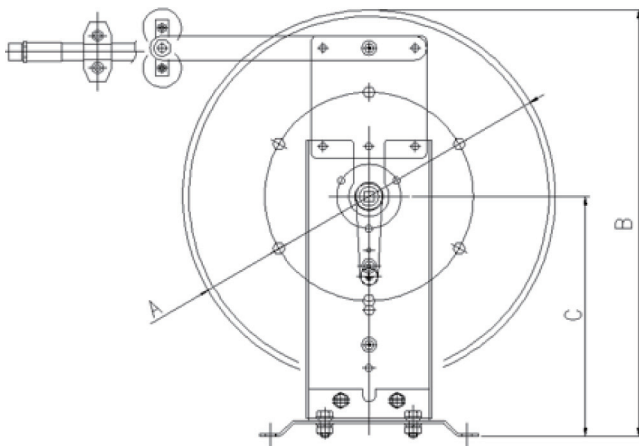
Gas Welding, Cutting Operation

▪ FEATURE

Rigid Frame, Manual Wrapping Type

▪ INSTALLATION LOCATION

Wall or Ceiling (Within 4 meters of installation height. Installation higher than 4 meters may not return)



<External Manual Type Outside View 2>

Model	HOSE		Size (mm)					
	I.D(mm)	Length(M)	A	B	C	D	E	F
MGM615	6	15	410	443	225	155	275	385
MGM620	6	20	465	538	285			
MGM630	6	30	465	538	285			
MGM815	8	15	410	443	225	205	310	435
MGM820	8	20	465	538	285			
MGM830	8	30	510	583	300			
MGM850	8	50	580	633	320			

Air Reel

Gas Reel

Welding Reel

Cord Reel

Water Reel

⚡ Welding Reel



EXTERNAL TYPE

▪ PURPOSE

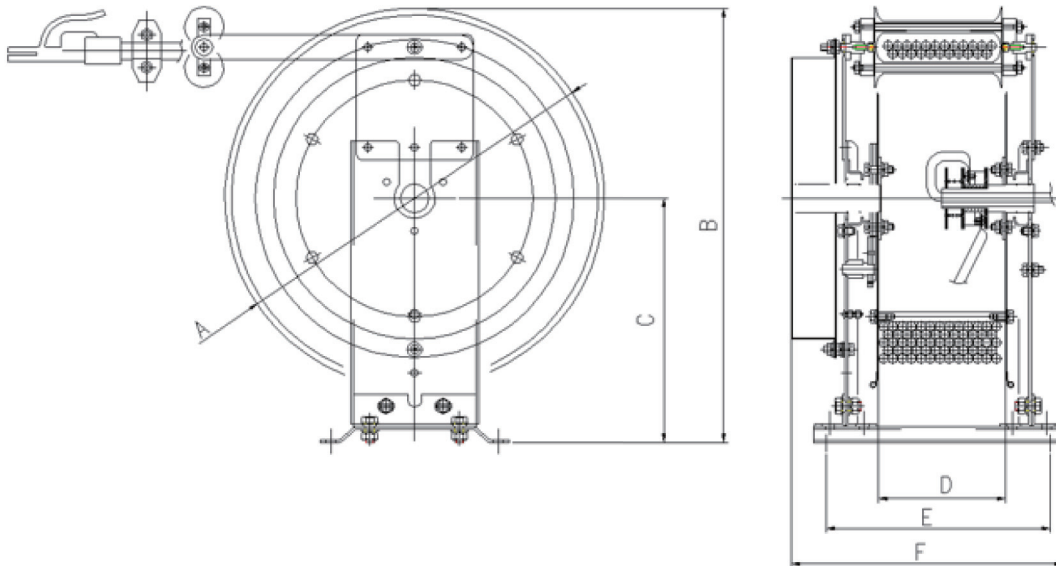
Gas Welding, Cutting Operation

▪ FEATURE

Rigid Frame, Powerful Spring

▪ INSTALLATION LOCATION

Wall or Ceiling (Within 4 meters of installation height. Installation higher than 4 meters may not return)



<External Automatic Type Outside View 1>

Model	Wire Specifications		Size (mm)					
External	Capacity	Length(M)	A	B	C	D	E	F
MARCA2515	25SQ	15	410	443	225	155	275	331
MARCA2520		20	465	538	285			
MARCA2530		30	465	538	285			
MARCA3515	35SQ	15	410	443	225	155	275	331
MARCA3520		20	465	538	285			
MARCA3530		30	465	538	285			
MARCA5010	50SQ	10	410	443	225	155	275	331
MARCA5015		15	465	538	285			
MARCA5020		20	465	538	285			
MARCA5030		30	510	583	285			



EXTERNAL MANUAL TYPE

▪ PURPOSE

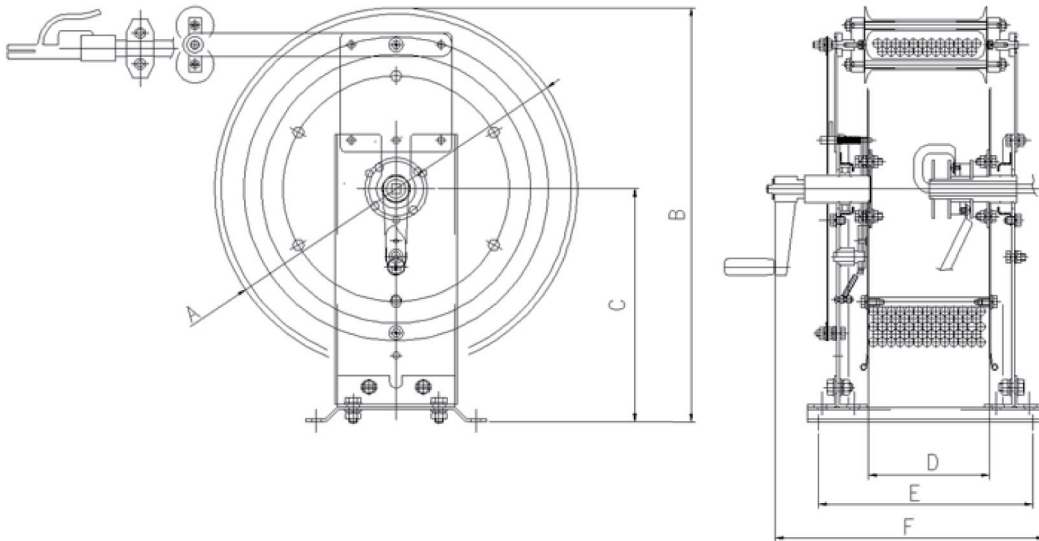
Electric Welding Site

▪ FEATURE

Rigid Frame, Manual Wrapping Type, Welding Bar Holder

▪ INSTALLATION LOCATION

Wall or Ceiling (Within 4 meters of installation height. Installation higher than 4 meters may not return)



<External Manual Type Outside View 2>

Model	Wire Specifications		Size (mm)							
	External Capacity	Length(M)	A	B	C	D	E	F		
MARCM2515	25SQ	15	410	443	225	155	275	331		
MARCM2520		20	465	538	285					
MARCM2530		30			205				310	356
MARCM3515	35SQ	15	410	443	225	155	275	331		
MARCM3520		20	465	538	285					
MARCM3530		30			205				310	356
MARCM5010	50SQ	10	410	443	225	155	275	331		
MARCM5015		15	465	538	285					
MARCM5020		20			205				310	356
MARCM5030		30	510	583						

Cord Reel



EXTERNAL TYPE

▪ PURPOSE

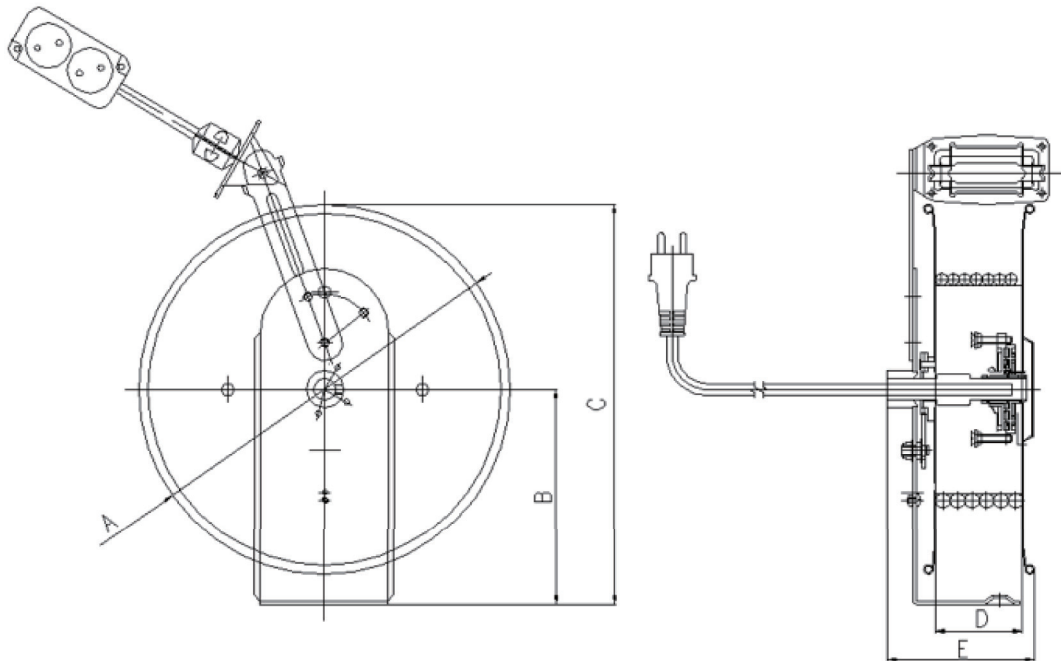
Automobile Repair Shop, General Industrial Site

▪ FEATURE

Lightweight Frame

▪ INSTALLATION LOCATION

Wall or Ceiling



<Small Standard Type Outside View>

Model	Wire Specifications		Size (mm)				
	SPEC	Length(M)	A	B	C	D	E
Small Standard							
MCA1510N	1.5mm ² X3C	10	320	185	345	75	135
MCA1515N		15	320	185	345	75	135
MCA1520N		20	320	185	345	75	135
MCA1530N		30	350	215	390	75	135
MCA2510N	2.5mm ² X3C	10	320	185	345	75	135
MCA2515N		15	320	185	345	75	135
MCA2520N		20	320	185	345	75	135



4 POINT TYPE

▪ PURPOSE

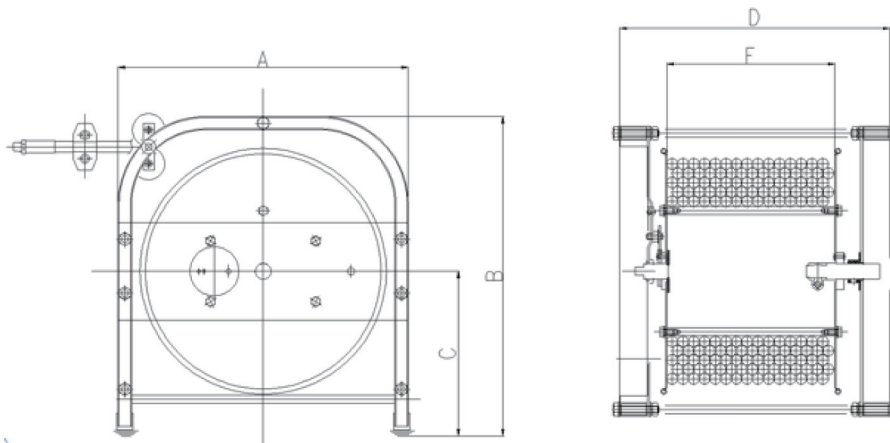
Construction Site, General Industrial Site

▪ FEATURE

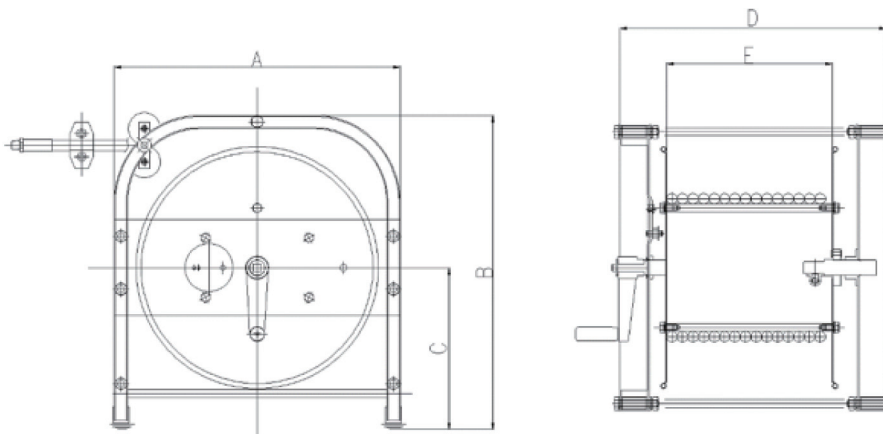
Rigid Frame

▪ INSTALLATION LOCATION

Movable



<4 Point Automatic Type Exploded View 1>



<4 Point Manual Type Outside View 2>

Model		Wire Specifications		Size (mm)				
Automatic	SPEC	SPEC	Length(M)	A	B	C	D	E
MCA1530B	MCM1530B	1.5mm ² X3C	30	430	465	235	400	250
MCA1550B	MCM1550B		50	430	465	235	400	250
MCA2530B	MCM2530B	2.5mm ² X3C	30	430	465	235	400	250
MCA2550B	MCM2550B		50	430	465	235	400	250
MCA4030B	MCM4030B	4.0mm ² X3C	30	430	465	235	400	250

Air Reel

Gas Reel

Welding Reel

Cord Reel

Water Reel

Water Reel



EXTERNAL TYPE

▪ PURPOSE

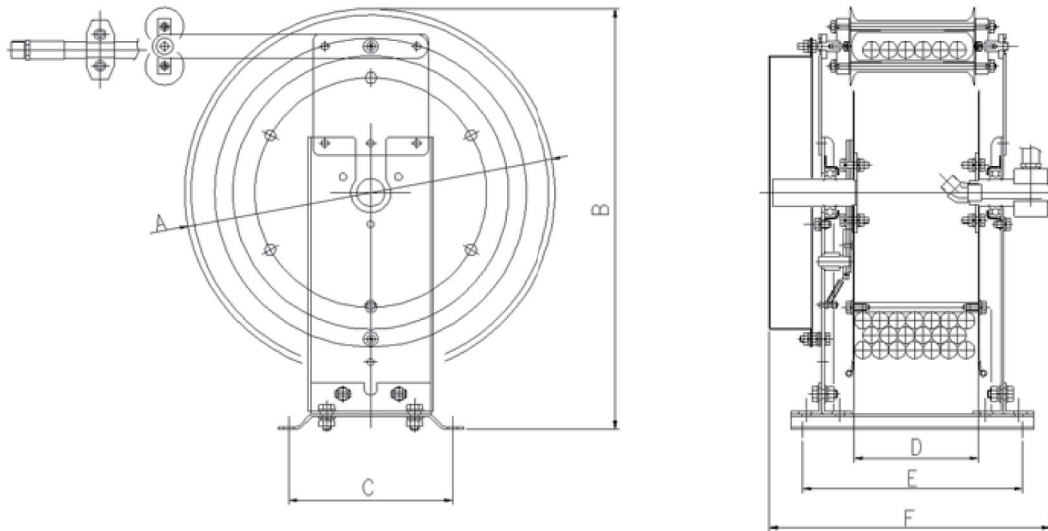
Food Factory, Construction Site, General Industrial Site

▪ FEATURE

Rigid Frame, Powerful Spring

▪ INSTALLATION LOCATION

Wall or Ceiling (Within 4 meters of installation height. Installation higher than 4 meters may not return)



<External Automatic Type Outside View 1>

Model	HOSE		Size (mm)					
	I.D(mm)	Length(M)	A	B	C	D	E	F
MWA1315	13	15	410	443	205	155	275	350
MWA1320	13	20	465	538				
MWA1330	13	30	510	583				
MWA1350	13	50	580	633	245	205	310	400
MWA1615	16	15	465	538	205	155	275	350
MWA1620	16	20	510	583				
MWA1630	16	30	510	583				
MWA1915	19	15	465	538	245	205	310	400
MWA1920	19	20	510	583				
MWA1930	19	30	580	633				
MWA2515	25	15	510	583				
MWA2520	25	20	580	633				



EXTERNAL MANUAL TYPE

▪ PURPOSE

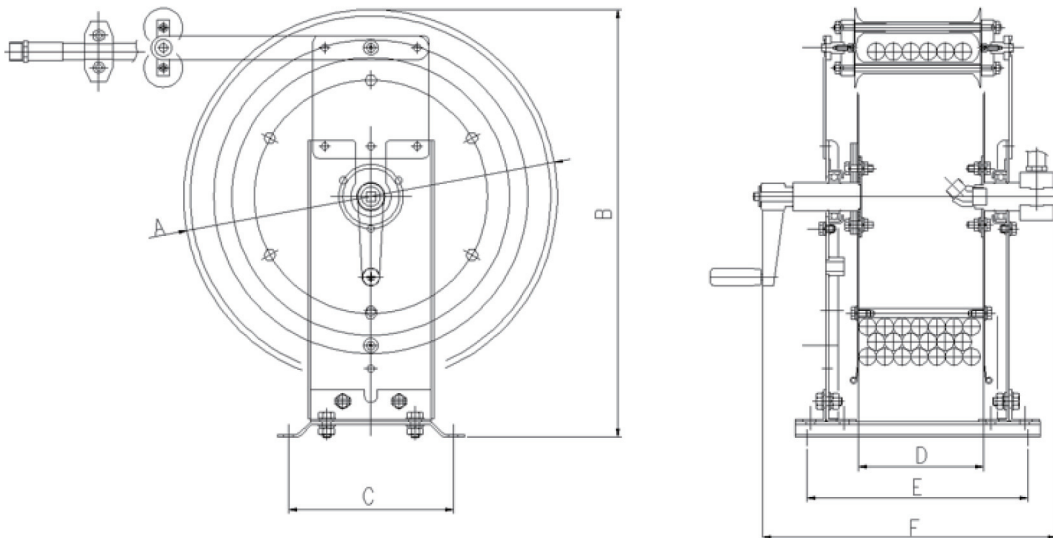
Mid-and-large-size Maintenance shop, General Industrial Site

▪ FEATURE

Rigid Frame, Manual Wrapping Type

▪ INSTALLATION LOCATION

Wall or Ceiling (Within 4 meters of installation height. Installation higher than 4 meters may not return)



<External Manual Type Outside View 2>

Model	HOSE		Size (mm)					
	I.D(mm)	Length(M)	A	B	C	D	E	F
MWM1315	13	15	410	443	205	155	275	365
MWM1320	13	20	465	538				
MWM1330	13	30	510	583				
MWM1350	13	50	580	633	245	205	310	415
MWM1615	16	15	465	538	205	155	275	365
MWM1620	16	20	510	583				
MWM1630	16	30	510	583				
MWM1915	19	15	465	538	245	205	310	415
MWM1920	19	20	510	583				
MWM1930	19	30	580	633				
MWM2515	25	15	510	583	245	205	310	415
MWM2520	25	20	580	633				

Water Reel



KITCHEN USE

▪ PURPOSE

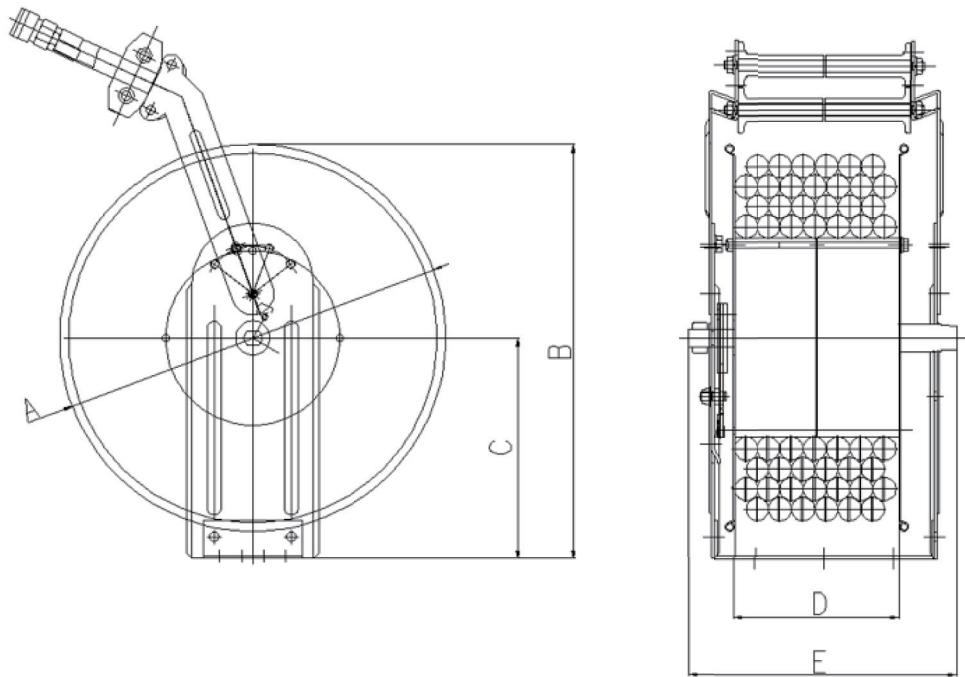
Food Factory, Kitchen Room, Other Cleaning Sites

▪ FEATURE

Built-In Spring

▪ INSTALLATION LOCATION

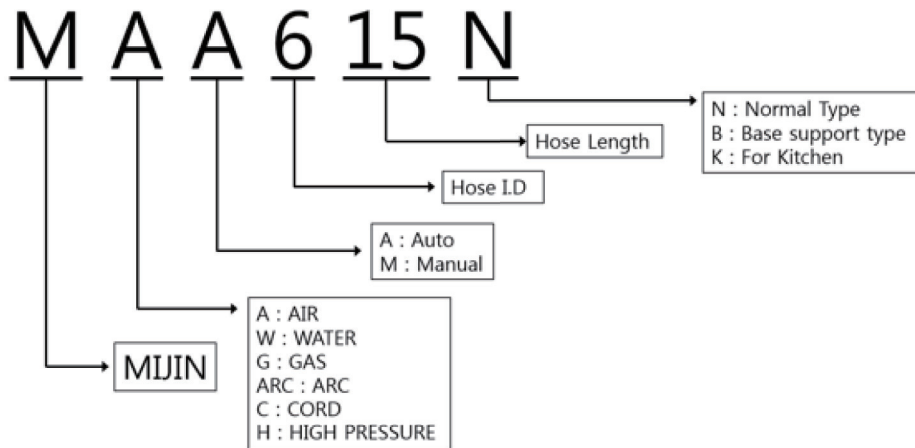
Wall or Ceiling (Within 4 meters of installation height. Installation higher than 4 meters may not return)



<Kitchen Type Outside View>

Model	HOSE		Size (mm)				
Kitchen Type	I.D(mm)	Length(M)	A	B	C	D	E
MWA1310K-V	13	10	360	375	200	150	245
MWA1310K-VG	13	10					
MWA1320K-V	13	20					
MWA1320K-VG	13	20					

Model Name Identification Instruction



AUTO REEL

MODEL : MWA1315

HOSE : I.D 13mm, Length 15m

SER. NO. :

DATE :

Auto Reel Series

Air Reel | Gas Reel | Welding Reel | Cord Reel | Water Reel



MijIN system



Headquarter Office | 6, 2565Bun-Gil, Jungbudaero, Yangji-Myun, Cheoin_gu, Yongin-City
Kyunggi-Do, Korea
Tel | +82-31-335-8787 **Fax** | +82-31-336-0821

Seoul Office | Room 806, Gasan Digital 2-Ro, Geumchun-Gu, Seoul-City
(Daeryung Techno Town Building 3rd)
Tel | +82-2-2107-3409 **Fax** | +82-2-2107-3509