

SPRING BALANCER

Professional Tool

Tigon Instruction manual

TIGON SPRING BALANCER

INSTRUCTION MANUAL

MODEL TW-9, TW-15, TW-22, TW-30, TW-40, TW-50, TW-60, TW-70

Specifications

MODEL	CAPACITY		STROKE		NET WEIGHT	
	kg	lb	meter	feet	kg	lb
TW-9	4.5~9	9.9~19.8	1.3	4.3	3.4	7.48
TW-15	9~15	19.8~33.0	1.3	4.3	3.8	8.36
TW-22	15~22	33.0~48.0	1.5	5.0	7.2	7.48
TW-30	22~30	48.0~66.0	1.5	5.0	8.5	15.84
TW-40	30~40	66.0~88.0	1.5	5.0	9.8	21.56
TW-50	40~50	88.0~110.0	1.5	5.0	10.4	22.88
TW-60	50~60	110.0~132.0	1.5	5.0	11.6	25.52
TW-70	60~70	132.0~154.0	1.5	5.0	11.8	25.96

- Read all instructions before operating tool.
- Keep this instruction manual with your tool.
- These specifications and design may be changed for improvement without prior notice.

Mijjin system Co.,LTD.

Head Office / Plant : 53-1, Jeil-Ri, Yangji-Myun, Cheoin-Gu, Yongin-City, Kyunggi-Do, Korea

TEL : 82-31-335-8787 FAX : 82-31-336-0821

<http://mijinsys.co.kr>

CONTENTS

1. SAFETY INSTRUCTIONS

- 1-1. Spring Balancer Installation
- 1-2. Directions for the use of Spring Balancer
- 1-3. Maintenance and Inspection
- 1-4. Disuse

2. USEAGE

3. CHECK THE CONTENTS OF THE PACKAGE

4. INSTALLATION

- 4-1 Spring Balancer Installation (Figure-1)
- 4-2 Tool and Device attach and adjustment of spiral spring tension (Figure-2)
- 4-3 Secure work space

5. HOW TO OPERATE

- 5-1 Manual stopper operation (Figure-3)
- 5-2 Tool or Device Replacement
- 5-3 Cable Replacement (Figure-4)
- 5-4 Safety Device

6. SOLUTIONS FOR TROUBLES

- 6-1 Solution for Safety Device Lock
- 6-2 Solution for Getting Cable between drum and case
- 6-3 Cover Disassembly and Assembly (Figure-5)

7. MAINTENANCE AND INSPECTION(Figure-6)




8. PART LIST

Thank you for your purchasing Nitto Kohki-Mijin's spring balancer **TIGON**.

- ◆ Before using our spring balancer, please read this manual carefully so that you may use it properly to get the most out of it.

This instruction manual should be kept close at hand.

The following safety notations are used throughout the manual to highlight safety precautions for the user and for the machine.

 DANGER	DANGER indicates a potentially hazardous situation which, if not avoided by following the instructions given, could result in death or serious injury.
 WARNING	WARNING indicates a potentially hazardous situation which, if not avoided by following the instructions given, could result in death or serious injury.
 CAUTION	CAUTION indicates a potentially hazardous situation which, if not avoided by following the instructions given, could result in injury or material damage.

1. SAFETY INSTRUCTIONS(Spring Balancer)

Important safety instructions for all spring balancers

When using spring balancers, basic safety precautions should always be followed to reduce risk of personal injury.

1-1 Spring Balancer Installation

WARNING

- **Install the balancer correctly.**
Incorrect installation could cause personal injury or damage to the Spring Balancer or other equipment.
- **Install secondary wire rope or chain to the Spring Balancer.**
If the Spring Balancer's main hanger or fitting link is damaged, it could protect workers' safety from accidents.
- **Make sure that the assist wire rope or secondary chain should be suspended different fitting link from the Spring Balancer's main hanger.**
- **Make sure that there is enough slack in assist wire rope or secondary chain, so that it is able to be movement spring balancer freely. In this install, if the main hanger break or fall down, the enough slack could be stopped before being injury to workers or other equipments,**
- **Install stronger fitting link than the maximum capacity of the Spring Balancer.**
- **The fitting link must be closed so that it does not fall when even Spring Balancer's shakes.**
- **Do not fix the main hanger of spring balancer which can swivel freely.**

1-2 Directions for the use of Spring Balancer

WARNING

- **Never pull down the cable while being unloaded.**
- **Never remove the tool from the Spring Balancer's hook while the wire rope is suspended. The fast winding of cable could cause personal injury when you let go the cable.**
- **Never stay right under the suspended spring balancer and tool.**
- **Never alter the Spring Balancer.**

⚠ CAUTION

- Always use within the capacity range of the Spring Balancer.
- Always adjust the spiral spring tension before using the Spring Balancer.
- Do not pull down the cable over its maximum weight.
- Do not use more than two tools for one unit Spring Balancer.

1-3 Maintenance and Inspection

⚠ WARNING

- Do inspect the Spring Balancer on a regular basis.
Stop using, if there is abrasion or damage on Cable or Hook.
- Never alter or disassemble the Spring Balancer.
- There is a spiral spring in the body of Spring Balancer.
When you have the Spring Balancer disassembled, the sudden expansion of the spiral spring is caused personal injury.
- Contact your sales agency of Nitto Kohki-Mijin for repair or replacement.
- If any label or name plate is damaged, contact your sales agency of Nitto Kohki-Mijin

1-4 Disuse

⚠ WARNING

- Contact your disposal dealer, in case of disuse Spring Balancer. There is a sudden expansion of the spiral spring, when you have the Spring Balancer disassembled is the cause of danger or damage.

2. **USEAGE**

Spring Balancer is a tool which has a tool suspended using like as electric tool, air tool and other device by its weight.

3. **CHECK THE CONTENTS OF THE PACKAGE**

When you pick the new balancer out from the box, you should check the contents and the condition such as breakages or oil leakages during on transportation. You may refer the contents to the part list of manual. If you have any problem with our Spring Balancer, contact your sales agency.

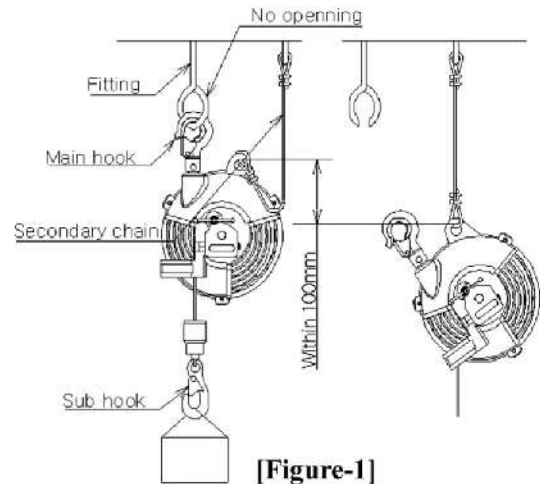
4. **INSTALLATION**

4-1 **SPRING BALANCER INSTALLATION** (Figure-1)

⚠ WARNING

- You should install the Spring Balancer which has enough strength and strong fitting link from its capacity range. Secure at least 10 times of the strength for the Spring Balancer's maximum capacity.
- The fitting link must be closed so that it does not fall when even spring balancer's shakes.
- Make sure that there is enough slack in assist wire rope or secondary chain, so that it is able to be movement spring balancer freely.
- Do not fix the main hanger of spring balancer. Be free for movement freely.
- Avoid possibility of collision with other spring balancer in horizontal movement on the rail.

- I. Attach the main hook of the spring balancer to the fitting link.
- II. Check the Spring Balancer which can move (rotation or gradient) freely.
- III. Attach an end of the wire rope or secondary chain to the spring balancer's body.
- IV. Attach the other end of the wire rope or secondary chain to a separate fitting link which does not support the spring balancer
- V. Check the spring balancer working smoothly with suspended tool



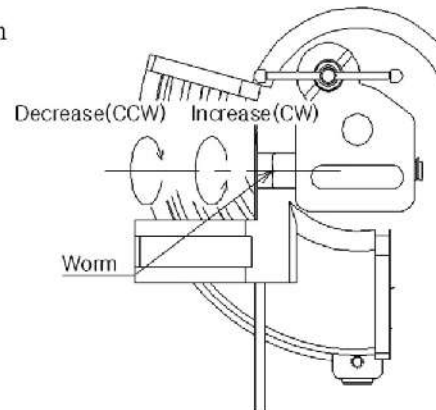
[Figure-1]

⚠ CAUTION

- Use within the capacity range of the Spring Balancer.
 - ☞ In this case, figure up the total weight not only tool, device and accessories (Air hose, wire etc) but also the Spring Balancer's weight.
- When you adjust spiral spring tension of the Spring Balancer, you must refer to gauge only by reference
 - ☞ It has difference numerical value of gauge by user's working condition

4-2 Tool and device attach and adjustment of spiral spring tension

- I. Make sure that whether tool or device has capacity range within the Spring Balancer's range.
- II. Adjust the spiral spring tension to be accord with tool or device
 - Adjust the spiral spring tension at the same time turning the worm with spanner etc and you may refer gauge's scale.
 - Turn clockwise for increasing the spiral spring tension and turn counterclockwise for decreasing it
- III. Lift up the Tool or Device to the fitting link



⚠ WARNING

- Keep checking on that there is no person or object under the hook, when you attach the hook or release the manual stopper lock. If the weight of the tools or device on the hook is heavier than the maximum spring tension, it could drop and cause personal injury.
 - Lock the manual stopper when the weight is unloaded.
 - Attach the tool or device to the spring balancer hook.
 - Check that there is no people or object under the hook, then release the manual stopper lock.

4-3 Secure work

⚠ CAUTION

- Excessive cable's exposure or the maximum stroke of the cable could cause damage to the Spring Balancer and its life would be shortened.

- I. Check that the working is in cable stroke range.
- II. If necessary, adjust the height of Spring Balancer or use a suitable Jig between the hook and tool.

5. HOW TO OPERATE

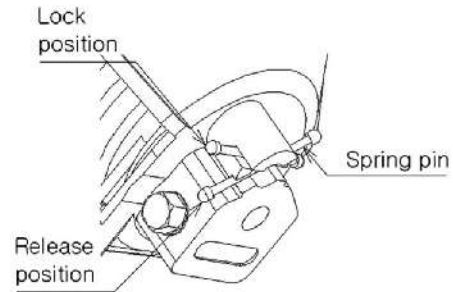
5-1. Manual stopper operation (Figure-3)

⚠ DANGER

- Check the drum is locked certainly
- Check the confirmation of the drum's lock situation is to hear the click sound with a little bit gap, when you pull the cable.

◆ **Lock operation**

- I. Pull down the spring pin and turn it counterclockwise and place it in the lock position of the groove.
- II. Re-adjust the spiral spring tension until being comfortable with your working condition, and check the balance.
- III. Move the suspended tool or device upward or downward until the spring pin enters the case of the groove then the drum becomes locked.
- IV. Move the tool or device again to check that the drum is locked securely.



[Figure-3]

◆ **Release operation**

- I. Pull down the spring pin and turn it clockwise and place it in the release position
- II. When the spring pin goes into the case of the groove and the drum is released.

5-2 Tool or device replacement

⚠ DANGER

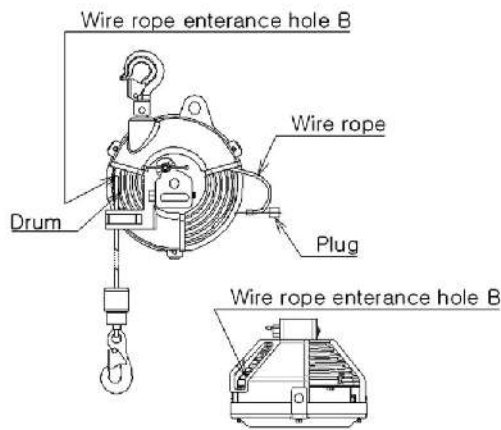
- **Never remove the suspended Tool or Device before checking the drum which is locked securely.**
- **Never release the drum lock when the spring balancer is unloaded. If release, the fast winding of the cable would cause personal injury.**

- I. Lock the drum like as “5-1 Manual Stopper Operation” and remove the suspended tool or device.
- II. Before attaching, check the total weight of the new tool or device, including all accessories, are within the capacity range of the Spring Balancer.
- III. Adjust the Spiral Spring tension at the same time turning the worm with spanner etc and you may refer gauge's scale.
 - **Turn clockwise for increasing the spring tension and turn counterclockwise for decreasing it.**
- IV. After attaching the new tool or device to the hook and release the drum's lock.

5-3 Cable Replacement (Figure-4)

⚠ CAUTION

- Cable replacement could be done without the product disassembly.
- ☞ If you need Spring Balancer's disassembly, the spiral spring tension should be situated at “0(zero)” and to do according to “6-3 COVER DISASSEMBLY AND ASSEMBLY (Figure-5)”.



[Figure-5]

- I. Pull down the cable to the maximum cable travel and then lock the manual stopper.
- II. After checking the drum lock, remove the tool or device from the hook
- III. Remove the cable set bolt (plug) and pull out the cable from the drum.
- IV. Separate the collar and shock absorber from old cable and assemble the new cable.
- V. Attach the cable to the drum of inside of the case.
- VI. Assemble the cable set bolt (plug)
- VII. After attaching the tool or device to the hook and release the drum lock by using manual stopper.

5-4 SAFETY DEVICE

⚠ WARNING

- **Never remove the spiral spring from the spring case.
Contact your sales agency of Nitto Kohki-Mijin for repair or replacement.**

- I. It is a device which prevents the rotation of the drum or the falling tools, when the spiral spring is damaged,
- II. This device could operate that the load of the spiral spring is higher than the tool.
- III. The way of lock releasing refers to "item 5-1."

6. SOLUTIONS FOR TROUBLES

⚠ WARNING

- **Stop your working and take precautions when you have trouble in using Spring Balancer.**
- **Never release Tool or Device until you find out the cause of trouble.**

Actual Condition	Cause	Measure
The cable does not move almost.	▶ The manual stopper is operating.	▶ Release the Manual Stopper(refer to item 5-1)
	▶ The cable is getting between the Drum and Case's gap.	▶ Release the tension of spiral spring and after disassembly wind the cable again. (refer to item 6-2)
The cable moves only a little.	▶ The tension of spiral spring is set lowly and the lock of safety device is operating.	▶ Release Safety Device Lock. (refer to item 6-1)
	▶ The spring is damaged and the lock of safety device is operating.	▶ Spring Replacement (refer to item 5-4)

6-1 Solution for Safety Device Lock

■ **When lock is worked since the low tension of the Spiral Spring.**

- I. Check that the scale of gauge was set at less than the minimum weight.
- II. Move upward and downward the suspended tool and turn the worm with clockwise direction for raising the tension of the spiral spring until it escapes LOCK point.
- III. Confirm that the safety device is not locked in all section of the stroke.
- IV. When the safety device pin is locked under the minimum weight, the capacity range of spiral spring is higher than the weight of the tool. Then you should change one stage lower capacity of spring balancer.

■ **The case that the Spiral Spring is damaged.**

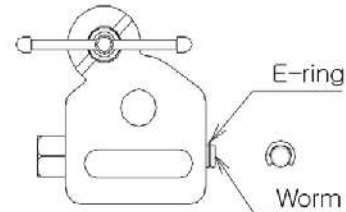
- I. Confirm the scale of gauge is set in the capacity range.
- II. Replace the spring after disassembly like as “item 6-3 COVER disassembly”

6-2 **Solution for Getting Cable between drum and case**

- I. Pull down the cable when the tool is suspended on it.
- II. When you can't pull down the cable, you can replace the cable after disassembling to be followed item 6-3.
- III. If necessary, replace the cable which checks the wire status. Make sure that in cases of the wire twist or kink of trace, you must replace it.

6-3 **Cover Disassembly and Assembly**

- I. Adjust the worm until the tension of spring is situated on zero.
- II. Remove the E-RING at the end of the worm.
- III. Release the bolt which connects the case and the cover. And disassemble the cover.
- IV. The assembly is in reverse order of disassembly.



7. MAINTENANCE AND INSPECTION

◆ **Periodically inspect the Spring Balancer and replace any abrasion or damaged parts.**

⚠ WARNING

- Periodically inspect the balancer, and replace any worn or damaged parts.
- Always use genuine parts for replacement.

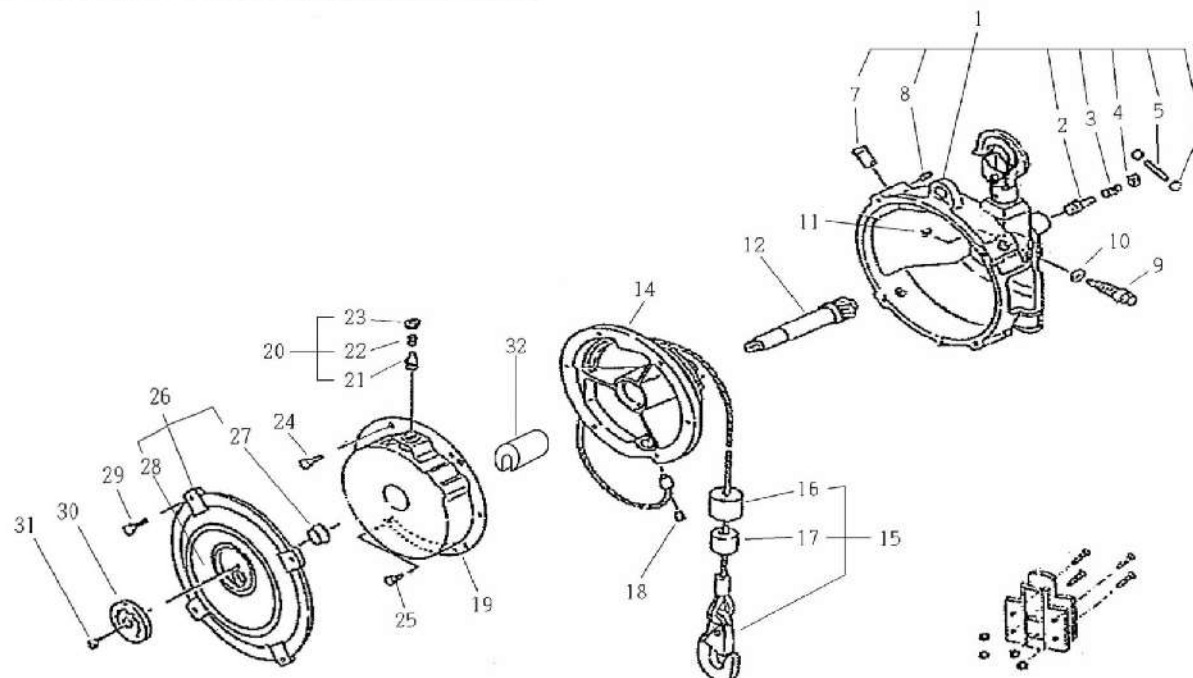
The diagram illustrates a spring balancer assembly with various components labeled for inspection. The labels and their corresponding questions are as follows:

- Fitting**: * Is there any wear or damage?
- Main hanger**: Can main hanger swivel smoothly?
- Latch**: * Is there any deformation?
- Case, drum**: * Is there any wear or damage ?
- Shock absorber**: * Are there any wear or cracks ?
- Latch**: * Is there any deformation?
- Sub hanger**
- Secondary chain**: * Is there any damage ? * Are bolts loose ?
- Is there any wear or damage ?
- Is a retaining ring taken off?
- Are any safety arms or safety pin missing?
- Wire rope**: * Is there any damage ? Check for wire breakage or damage near the lock tube
- Collar**: * Move upward during inspection
- Swivel-bottom hook**: * Is there any wear or damage ?

8. PART LIST

- ◆ When placing an order, clearly specify the product model, part number and part name.
- ◆ Please purchase a set or complete unit.
- ◆ The repairs are required to be worked by qualified person who is well trained.

▣ PART LIST for MODEL TW-9 ~ TW-15



◆ The part number which is inside of () are the components of ASS'Y.

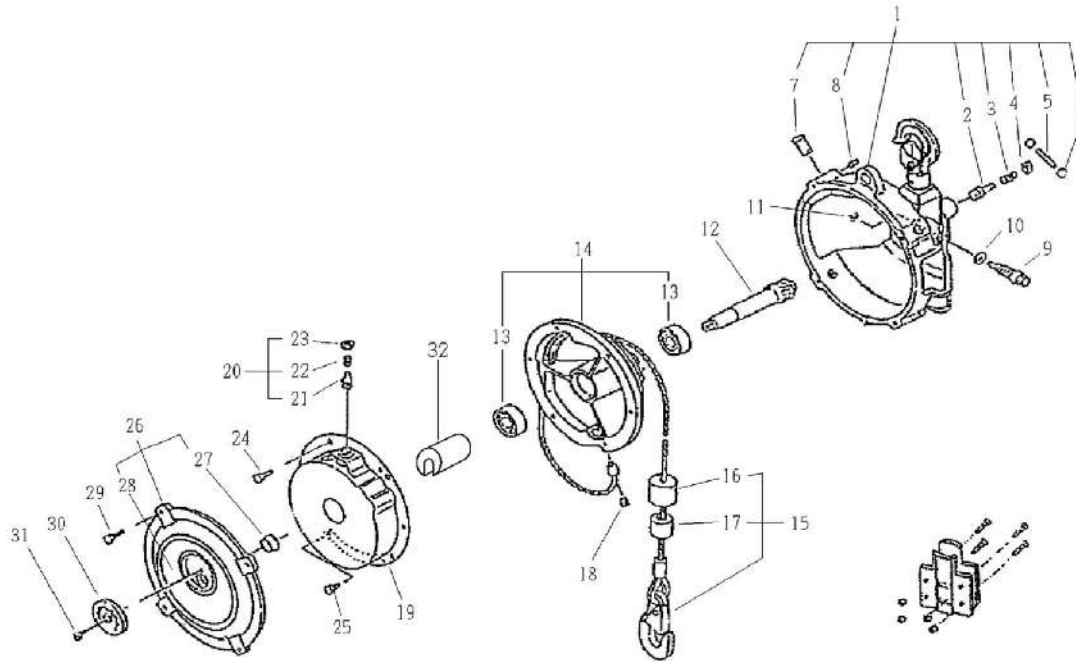
No.	PART NO	DESCRIPTION	Qty
1	TB06019	CASE ASS'Y	1set
2	(TQ08117)	STOPPER PIN	1
3	(TQ08118)	STOPPER SPRING	1
4	(TQ08112)	STOPPER PIN HOLDER	1
5	(TQ08711)	SPRING PIN 2.5X35	1
6	(TQ08021)	CAP	2
7	(TQ08014)	SAFETY ARM	3
8	(TQ08712)	HEX. SOCKET SET SCREW 5X12	3
9	TQ08037	WORM	1
10	TQ08667	THRUST WASHER	1
11	TQ08687	E-RING E-5	1
12	TQ08038	SPINDLE	1
14	TQ08026	DRUM	1
15	TB06006	CABLE ASS'Y	1set
16	(TQ08034)	SHOCK ABSORBER	1
17	(TQ08033)	COLLAR	1
18	TQ08710	PLUG	1
19	TB06522	SPRING SUB ASS'Y TW-9	1set
	TB06523	SPRING SUB ASS'Y TW-15	1set

No.	PART NO	DESCRIPTION	Qty
20	TB06577	SAFETY DEVICE ASS'Y	1set
21	(TQ08039)	SAFETY DEVICE PIN	1
22	(TQ08040)	SAFETY DEVICE SPRING	1
23	(TQ08041)	SAFETY DEVICE SCREW	1
24	TQ08027	+ HEX. BOLT 5X10	4
26	TB06578	CASE COVER ASS'Y TW-9	1set
	TB06579	CASE COVER ASS'Y TW-15	1set
27	(TQ08036)	COVER BUSHING	1
28	(TQ08065)	LABEL Tigon TW-9	1
	(TQ08081)	LABEL Tigon TW-15	1
29	TQ08044	+ HEX. BOLT 5X20	3
30	TB06630	GAUGE SUB ASS'Y TW-9	1set
	TB06631	GAUGE SUB ASS'Y TW-15	1set
31	TQ08043	GAUGE SCREW	1
32	TQ08008	SPRING BUSHING	1

ACCESSORY

	TB06005	CABLE STOPPER ASS'Y	1set
		INSTRUCTION MANUAL	1

■ PART LIST for TW-22 & TW-30



◆ The part number which is inside of () are the components of ASS'Y.

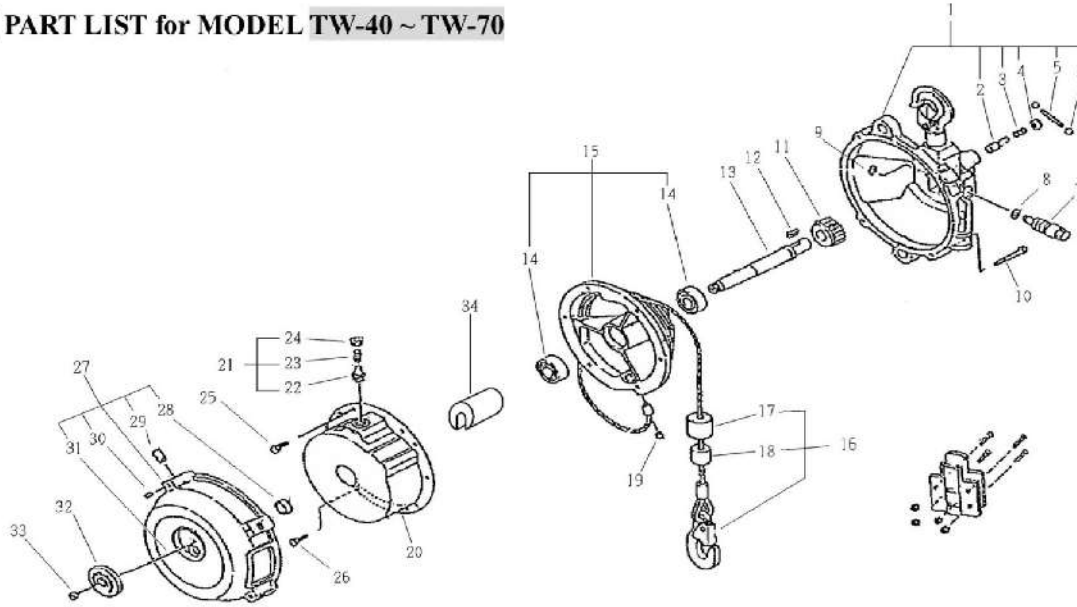
No.	PART NO	DESCRIPTION	Qty
1	TB06086	CASE ASS'Y	1set
2	(TQ08110)	STOPPER PIN	1
3	(TQ08111)	STOPPER SPRING	1
4	(TQ08112)	STOPPER PIN HOLDER	1
5	(TQ08113)	SPRING PIN 3X40	1
6	(TQ08114)	CAP	2
7	(TQ08086)	SAFETY ARM	4
8	(TQ08779)	HEX. SOCKET SET BOLT	4
9	TQ08037	WORM	1
10	TQ08667	THRUST WASHER	1
11	TQ08687	E-RING E-5	1
12	TQ08115	SPINDLE	1
14	TB06488	DRUM SUB ASS'Y	1set
13	(TQ08692)	BALL BEARING 6004	2
15	TB06420	CABLE ASS'Y	1set
16	(TQ08108)	SHOCK ABSORBER	1
17	(TQ08107)	COLLAR	1
18	TQ08666	PLUG	1
19	TB06486	SPRING SUB ASS'Y TW-22	1set
	TB06487	SPRING SUB ASS'Y TW-30	1set

No.	PART NO	DESCRIPTION	Qty
20	TB06425	SAFETY DEVICE ASS'Y	1set
21	(TQ08098)	SAFETY DEVICE PIN	1
22	(TQ08111)	SAFETY DEVICE SPRING	1
23	(TQ08112)	SAFETY DEVICE SCREW	1
24	TQ08690	HEX. BOLT 6X12	5
25	TQ08689	HEX. BOLT 6X10	1
26	TB06580	CASE COVER ASS'Y TW-22	1set
	TB06581	CASE COVER ASS'Y TW-30	1set
27	(TQ08118)	COVER BUSHING	1
28	(TQ08122)	LABEL Tigon TW-22	1
	(TQ08141)	LABEL Tigon TW-30	1
29	TQ08691	+ HEX. BOLT 6X20	4
30	TB06632	GAUGE SUB ASS'Y TW-22	1set
	TB06633	GAUGE SUB ASS'Y TW-30	1set
31	TQ08043	GAUGE SCREW	1
32	TQ08097	SPRING BUSHING	1

ACCESSORY

	TB06005	CABLE STOPPER ASS'Y	1set
		INSTRUCTION MANUAL	1

■ PART LIST for MODEL TW-40 ~ TW-70



◆ The part number which is inside of () are the components of ASS'Y.

No.	PART NO	DESCRIPTION	Qty
1	TB06419	CASE ASS'Y	1set
2	(TQ08110)	STOPPER PIN	1
3	(TQ08111)	STOPPER SPRING	1
4	(TQ08112)	STOPPER PIN HOLDER	1
5	(TQ08113)	SPRING PIN 3X40	1
6	(TQ08114)	CAP	2
7	TQ08158	WORM	1
8	TQ08672	THRUST WASHER	1
9	TQ08688	E-RING E-6	1
10	TQ08561	+ HEX. BOLT 6X40	4
11	TQ08159	WORM WHEEL	1
12	TQ08694	KEY 6X6X20	1
13	TQ08157	SPINDLE TW-40/50	1
	TQ08190	SPINDLE TW-60/70	1
15	TB06488	DRUM SUB ASS'Y	1set
14	(TQ08692)	BALL BEARING 6004	2
16	TB06420	CABLE ASS'Y	1set
17	(TQ08108)	SHOCK ABSORBER	1
18	(TQ08107)	COLLAR	1
19	TQ08666	PLUG	1
20	TB06494	SPRING SUB ASS'Y TW-40	1set
	TB06495	SPRING SUB ASS'Y TW-50	1set
	TB06503	SPRING SUB ASS'Y TW-60	1set
	TB06504	SPRING SUB ASS'Y TW-70	1set
21	TB06423	SAFETY DEVICE ASS'Y	1set
22	(TQ08154)	SAFETY DEVICE PIN	1
23	(TQ08099)	SAFETY DEVICE SPRING	1

No.	PART NO	DESCRIPTION	Qty
24	(TQ08100)	SAFETY DEVICE SCREW	1
25	TQ08690	+ HEX. BOLT 6X12	5
27	TB06582	CASE COVER ASS'Y TW-40	1set
	TB06583	CASE COVER ASS'Y TW-50	1set
	TB06584	CASE COVER ASS'Y TW-60	1set
	TB06585	CASE COVER ASS'Y TW-70	1set
28	(TQ08118)	COVER BUSHING	1
29	(TQ08721)	SAFETY ARM TW-40/50	4
	(TQ08722)	SAFETY ARM TW-60/70	4
30	(TQ08780)	HEX, SOCKET SET BOLT6X10	4
31	(TQ08163)	LABEL Tigon TW-40	1
	(TQ08179)	LABEL Tigon TW-50	1
	(TQ08194)	LABEL Tigon TW-60	1
	(TQ08203)	LABEL Tigon TW-70	1
32	TB06634	GAUGE SUB ASS'Y TW-40	1set
	TB06635	GAUGE SUB ASS'Y TW-50	1set
	TB06636	GAUGE SUB ASS'Y TW-60	1set
	TB06637	GAUGE SUB ASS'Y TW-70	1set
33	TQ08043	GAUGE SCREW	1
34	TQ08153	SPRING BUSHING TW-40/50	1
	TQ08189	SPRING BUSHING TW-60/70	1

ACCESSORY

	TB06005	CABLE STOPPER ASS'Y	1set
		INSTRUCTION MANUAL	1



MIJIN SYSTEM CO., LTD.

53-1, JEIL-RI, YANGJI-MYUN, YONGIN-CITY, KYUNGGI-DO,
KOREA

TEL : 82-31-335-8787 FAX : 82-31-336-0821/2

EC DECLARATION OF CONFORMITY

We hereby declare that the following our product conforms with the essential health and safety requirements of EEC Directives.

Product : 1. SPRING BALANCER
: TW-00 / TW-0 / TW-3 / TW-5 / TW-9 / TW-15 / TW-22 / TW-30
TW-40 / TW-50 / TW-60 / TW-70 / TW-90 / TW-105 / TW-120
2. RETRACTOR
: RW-0 / RW-3 / RW-5 / TW-06R / TW-1R / TW-2R
3. HOSE REEL BALANCER
: HW-0 / HW-3 / HW-5

Serial No : X X X X X X X X
→ Consecutive numbers(001~999)
→ The month of manufacture(A~M)
→ The year of manufacture(00~99)
→ Model

Manufacturer : MIJIN SYSTEM CO., LTD.
53-1, JEIL-RI, YANGJI-MYUN, YONGIN-CITY, KYUNGGI-DO, KOREA

Directive : 98/37/EC and 2006/42/EC Machinery Directive

The above product has been evaluated for conformity with above directives using the following European standards. The technical construction file (TCF) for this product can be furnished from nitto kohki-mijin which kindly note.

Machinery Directive : EN ISO 12100-1: 2003, EN ISO 12100-2 : 2003
EN ISO 14121-1: 2007, EN ISO 13850: 2008

Signature :

Date :

Jan. 25. 2015 /Seoul, Korea

Name :

Bong Sik Kim

Title :

President

Being the responsible person appointed and employed the manufacturer.