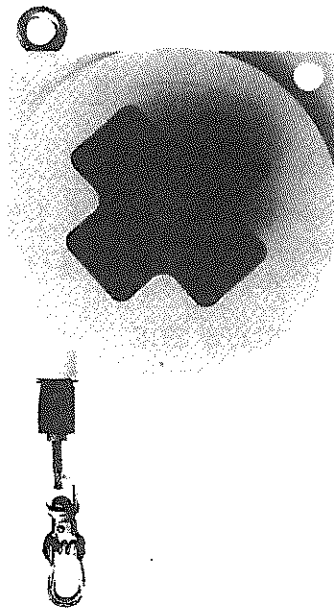


TIGON SPRING BALANCERS

RW - 0

RW - 3

RW - 5



INSTRUCTION MANUAL

• SPECIFICATIONS

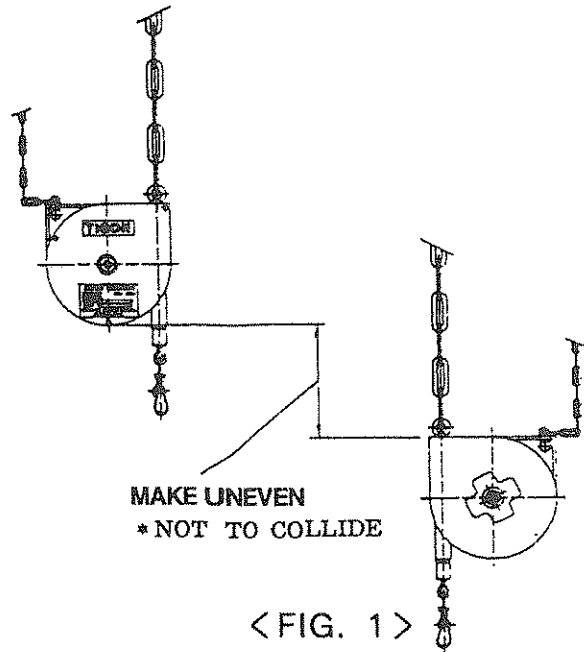
MODEL	CAPACITY (kg)	STROKE(m)	WEIGHT (kg)
RW - 0	0.5 - 1.5	2.0	0.5
RW - 3	1.0 - 3.0	2.0	0.7
RW - 5	2.5 - 5	2.0	0.9

I. OPERATING PROCEDURE

1. INSTALLATION. < FIG.1 >

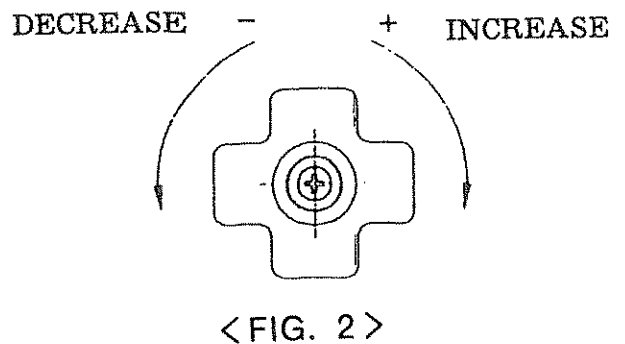
INSTALL BALANCER CORRECTLY IN ORDER TO AVOID WEAR OUT AND PROVIDE SAFETY AND EFFICIENCY.

- A) HANG BALANCER BY USING THE MAIN HOOK
- B) IT SHOULD BE MOUNTED NOT TO COLLIDE WITH OTHER BALANCER OR STRUCTURES.
- C) INSTALL THE TOOL ON THE BALANCER.
- D) SUPPORT CABLE MUST BE INSTALLED ON SECONDARY HANGER.



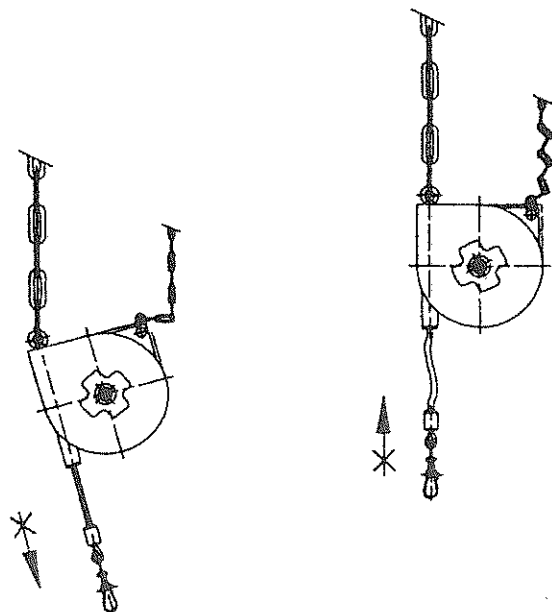
2. TENSION ADJUSTMENT. < FIG.2 >

- A) SIMPLY TURN THE HANDLE ON FRONT CASE TO CLOCKWISE TO INCREASE TENSION.
- B) HOLD BOTH HANDLE AND KNOB BELOW THE HANDLE SECURELY AT A SAME TIME AND TURN TO COUNTER CLOCKWISE TO DECREASE TENSION.
- C) **TENSION ADJUSTING MUST BE DONE WITH SPECIAL CARE IN ORDER TO PREVENT ANY INJURY OR DAMAGE.**
- D) SPIRAL SPRING TENSION IS SET IN THE MIDDLE OF CAPACITY WHEN DESPATCHED.
- E) IT IS RECOMMENDED TO SET THE TENSION IN THE MIDDLE OF CAPACITY TO MAINTAIN THE BALANCER IN THE BEST CONDITION AND LONG LIFE.



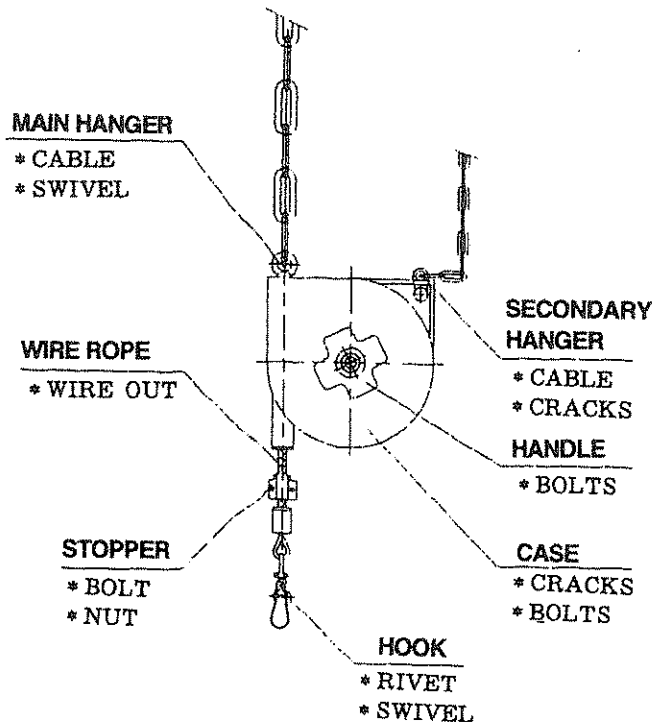
3. CAUTION < FIG. 3 >

- A) DO NOT PULL AT AN ANGLE. THIS WILL CAUSE WEAR OUT AND SHORT LIFE.
- B) KEEP AWAY FROM FIRE.
- C) DO NOT PULL OUT THE WIRE AND DETACH TOOL. THIS WILL CAUSE INJURY OR DAMAGE.



II. CHECKS < FIG.4 >

IN ORDER TO USE PROPERLY AND FOR LONG LIFE, BE SURE TO CHECK REGULARLY AT LEAST ONCE IN A MONTH.



< FIG. 4 >

III. DISASSEMBLING AND ASSEMBLING

< FIG.5 >

1. DISASSEMBLING

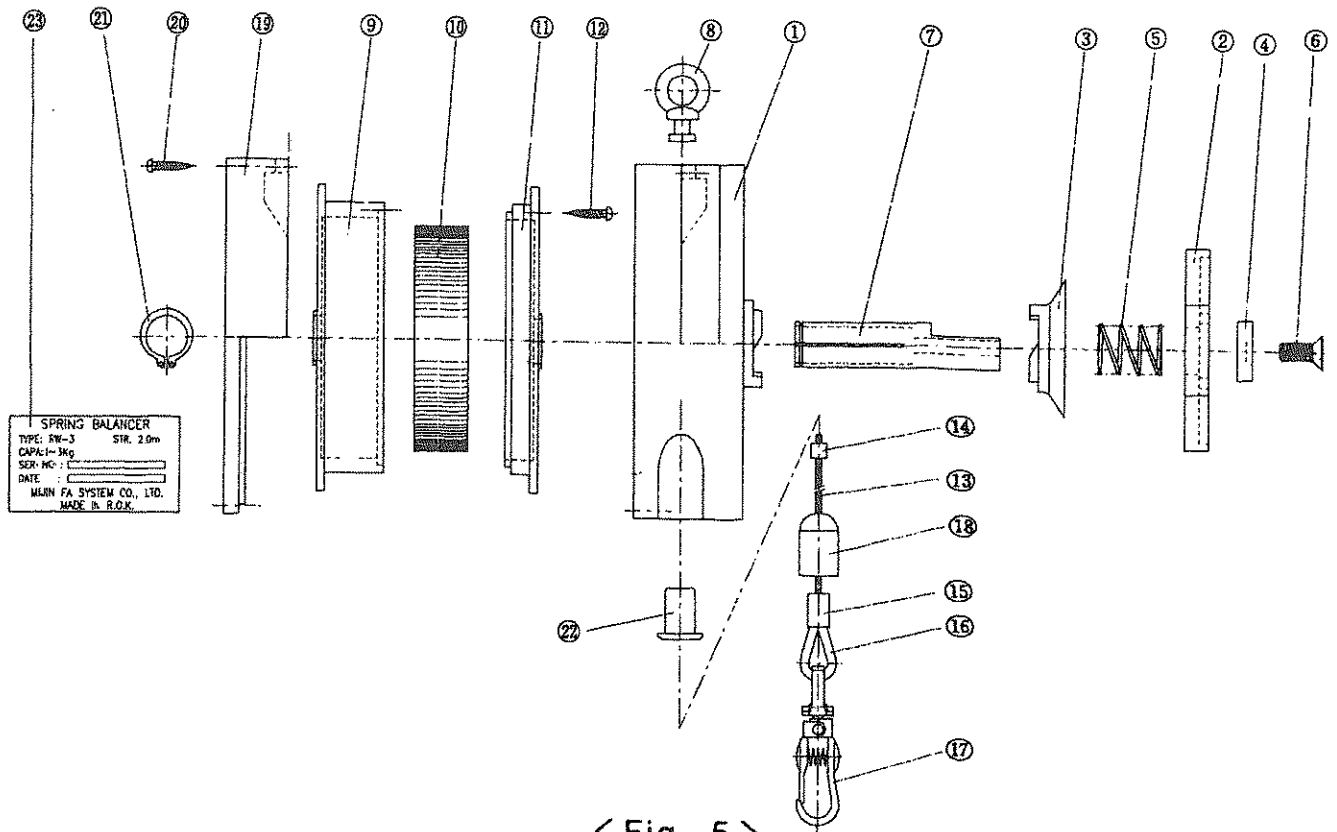
THE FOLLOWING PROCEDURE SHOULD BE ADAPTED IF IT IS NECESSARY TO REPLACE WIRE, SPIRAL SPRING, AND OTHER PARTS.

- REMOVE THE TOOL FROM HOOK(17), AND PLACE THE BALANCER ON THE REPAIR TABLE.
- TURN HANDLE A(2) AND HANDLE B(3) TO COUNTER-CLOCKWISE IN ORDER TO DECREASE TENSION. WHEN TENSION IS DECREASED COMPLETELY WIRE ROPE WILL COME OUT.
- REMOVE STOP RING. (21)
- REMOVE MACHINE SCREW(6), COLLAR(4), HANDLE A(2), AND HANDLE B(3).
- REMOVE COVER(19), CASE(1). AND HANGER(8).
- REMOVE DRUM(9), DRUM COVER(11), AND SPIRAL SPRING(10)

* **NOTE : CARELESS WORKING WITH SPIRAL SPRING REMOVAL WILL CAUSE INJURY.**

2. ASSEMBLING

- PLACE SPIRAL SPRING(10), INTO THE DRUM(9), AND PLACE DRUM COVER(11).
- PLACE WIRE ROPE SET(13-18), THROUGH CASE(1).
- ASSEMBLE COVER(19), AND CASE(1).
- ASSEMBLE HANDLE B(3), SPRING(5), HANDLE A(2), COLLAR(4), AND FASTEN MACHINE SCREW(6)
- PLACE STOP RING(21).
- ADJUST TENSION BY USING HANDLE(2).



< Fig. 5 >

IV. PART LIST

The parts number with () are included in the ass'y parts written above them

No	Parts No	Parts Name	Q'ty		
			RW-0	RW-3	RW-5
1	TB06246	CASE ASS'Y	1Set	1Set	1Set
22	(TQ08344)	CASE BUSHING	1	1	1
2	TQ08353	HANDLE(A)	1	1	1
3	TQ08355	HANDLE (B)	1	1	1
4	TQ08778	COLLAR	1	1	1
5	TQ08354	RATCHET SPRING	1	1	1
6	TQ08709	SCREW	1	1	1
7	TQ08352	SPINDLE	1	1	1
8	TQ08213	MAIN HANGER	1	1	1
9	TQ08345	DRUM	1	1	1
10	TQ08346	SPIRAL SPRING	1		
	TQ08380	SPIRAL SPRING		1	
	TQ08391	SPIRAL SPRING			1
11	TQ08347	DRUM COVER	1	1	1
12	TQ08784	TAPPING SCREW 2.6 X 14	3	3	3
13	TB06249	CABLE SUB ASS'Y	1Set	1Set	1Set

No	Parts No	Parts Name	Q'ty		
			RW-0	RW-3	RW-5
14	(TQ08218)	LOCK B	1	1	1
15	(TQ08349)	LOCK A	1	1	1
16	(TQ08217)	THIMBLE	1	1	1
17	(TQ08220)	HOOK	1	1	1
18	TQ08221	SHOCK ABSORBER	1	1	1
19	TQ08351	COVER	1	1	1
20	TQ08723	TAPPING SCREW 2.6 X 12	3	3	3
21	TQ08725	SNAP RING	1	1	1
23	TQ08372	LABEL SPEC RW-0	1		
	TQ08383	LABEL SPEC RW-3		1	
	TQ08394	LABEL SPEC RW-5			1

ACCESSORY

	TB06511	CABLE STOPPER ASS'Y	1Set	1Set	1Set
	TQ08361	INSTRUCTION MANUAL	1	1	1